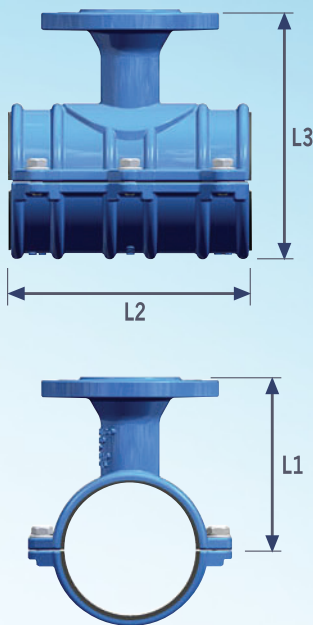


serie  
**UR-30**



## COLLARÍN DE TOMA CON SALIDA BRIDA PARA TUBERÍAS DE PVC, PVC-O Y POLIETILENO

INTAKE RING WITH FLANGED OUTLET FOR PVC, PVC-O AND POLYTHENE PIPES



- Amplia gama de diámetros que cubre tubos entre 90 y 630 milímetros.
  - Mecanismo de ajuste máximo del tornillo consiguiendo la estanqueidad.
  - Presión de trabajo PN-16.
  - Fundición nodular GGG-50.
  - Revestimiento EPOXI de 250  $\mu$  de media.
  - Tornillería inoxidable y juntas de goma EPDM.
- Wide range of diameters covering pipes from 90 to 630 millimeters.
  - Maximum bolt adjustment mechanism to achieve leaktightness.
  - PN-16 operating pressure.
  - GGG-50 nodular cast iron.
  - 250  $\mu$  EPOXY average coating.
  - Equipped with stainless steel bolts, nuts and washers, and EPDM rubber seals.

REF.	Ø Tubo Pipe	Salida Outlet	L1	L2	L3
UR-30-DE090-040	90	DN-40	135	180	191
UR-30-DE090-050	90	DN-50	145	180	201
UR-30-DE090-080	90	DN-80	145	180	201
UR-30-DE110-040	110	DN-40	145	200	211
UR-30-DE110-050	110	DN-50	145	200	211
UR-30-DE110-065	110	DN-60/65	165	200	231
UR-30-DE110-080	110	DN-80	170	200	236
UR-30-DE125-040	125	DN-40	160	200	233
UR-30-DE125-050	125	DN-50	160	200	233
UR-30-DE125-065	125	DN-60/65	160	200	233
UR-30-DE125-080	125	DN-80	170	200	243
UR-30-DE125-100	125	DN-100	170	200	243
UR-30-DE140-040	140	DN-40	160	200	241
UR-30-DE140-050	140	DN-50	160	200	241
UR-30-DE140-065	140	DN-60/65	160	200	241
UR-30-DE140-080	140	DN-80	170	200	251
UR-30-DE160-040	160	DN-40	170	250	261
UR-30-DE160-050	160	DN-50	170	250	261
UR-30-DE160-065	160	DN-60/65	190	250	281
UR-30-DE160-080	160	DN-80	200	250	291
UR-30-DE160-100	160	DN-100	205	250	296
UR-30-DE180-040	180	DN-40	195	250	296
UR-30-DE180-080	180	DN-80	225	250	326
UR-30-DE180-100	180	DN-100	230	250	331
UR-30-DE180-150	180	DN-150	240	250	341
UR-30-DE200-040	200	DN-40	195	250	306
UR-30-DE200-050	200	DN-50	195	250	306
UR-30-DE200-065	200	DN-60/65	215	250	326
UR-30-DE200-080	200	DN-80	225	250	336
UR-30-DE200-100	200	DN-100	230	250	341
UR-30-DE200-150	200	DN-150	240	250	351
UR-30-DE225-080	225	DN-80	225	250	348
UR-30-DE225-100	225	DN-100	230	250	353
UR-30-DE250-040	250	DN-40	210	300	346
UR-30-DE250-050	250	DN-50	240	300	376
UR-30-DE250-080	250	DN-80	250	300	386
UR-30-DE250-100	250	DN-100	255	300	391
UR-30-DE250-150	250	DN-150	265	300	401
UR-30-DE315-050	315	DN-50	280	300	448
UR-30-DE315-080	315	DN-80	295	300	463
UR-30-DE315-100	315	DN-100	300	300	468
UR-30-DE315-150	315	DN-150	310	300	478
UR-30-DE355-080	355	DN-80	315	300	503
UR-30-DE355-100	355	DN-100	315	300	503
UR-30-DE355-150	355	DN-150	315	300	503
UR-30-DE400-050	400	DN-50	320	300	531
UR-30-DE400-080	400	DN-80	340	300	551
UR-30-DE400-100	400	DN-100	355	300	566
UR-30-DE400-150	400	DN-150	360	300	571
UR-30-DE450-080	450	DN-80	340	300	578
UR-30-DE450-100	450	DN-100	376	300	614
UR-30-DE450-150	450	DN-150	376	300	614
UR-30-DE500-100	500	DN-100	406	300	667
UR-30-DE500-150	500	DN-150	411	300	672
UR-30-DE500-200	500	DN-200(PN-16)	411	300	672
UR-30-DE630-100	630	DN-100	471	300	794
UR-30-DE630-150	630	DN-150	473	300	796
UR-30-DE630-200	630	DN-200(PN-16)	476	300	799

**UR-cast**  
Water Fittings

www.ur-cast.com  
Tfno: (+34) 945 200 466 - Fax: (+34) 945 249 867  
C/ Urartea nº 15-17, pab. 6-10, P. I. ALI GOBEO / 01010 VITORIA-GASTEIZ / ÁLAVA (Spain)